

TC-Series End Block

FEATURES:

- Patented power-delivery technology
- Unique target attachment method
- Durable, long-life rotary seals
- Most compact design available for standard, industrial targets
- Non-proprietary target design
- Patented target water fill/drain feature
- Fits standard target size

BENEFITS:

- Excellent reliability
- Simple to install
- Fast target change
- 2 hour annual maintenance
- 3 hour total end block rebuild
- Very low maintenance cost
- Use targets from any vendor
- No inductive heating impact - no brush dust
- No galvanic corrosion
- No special target size needed

RETROFIT AND UPGRADES:

- Available as individual end blocks, end blocks plus the TRM-Bar,[™] QRM-Bar,[™] or mQRM-Bar[™] magnetics, or complete e-Cathode[™] systems - ready to install



TC-Series Internal Mount End Block

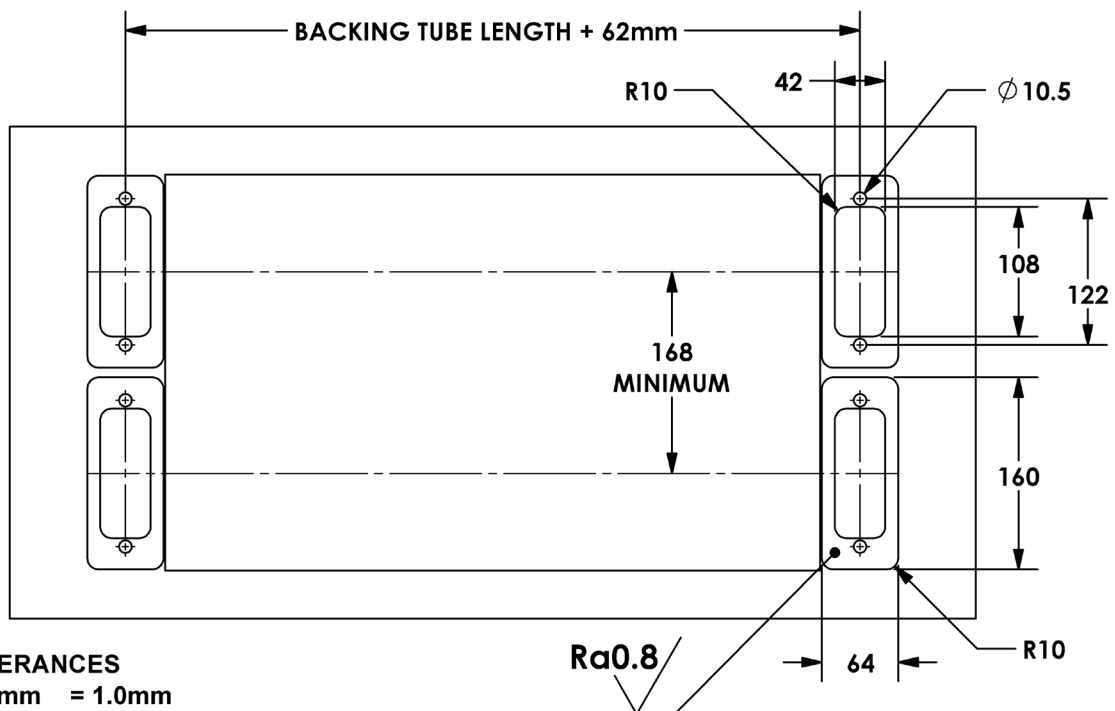
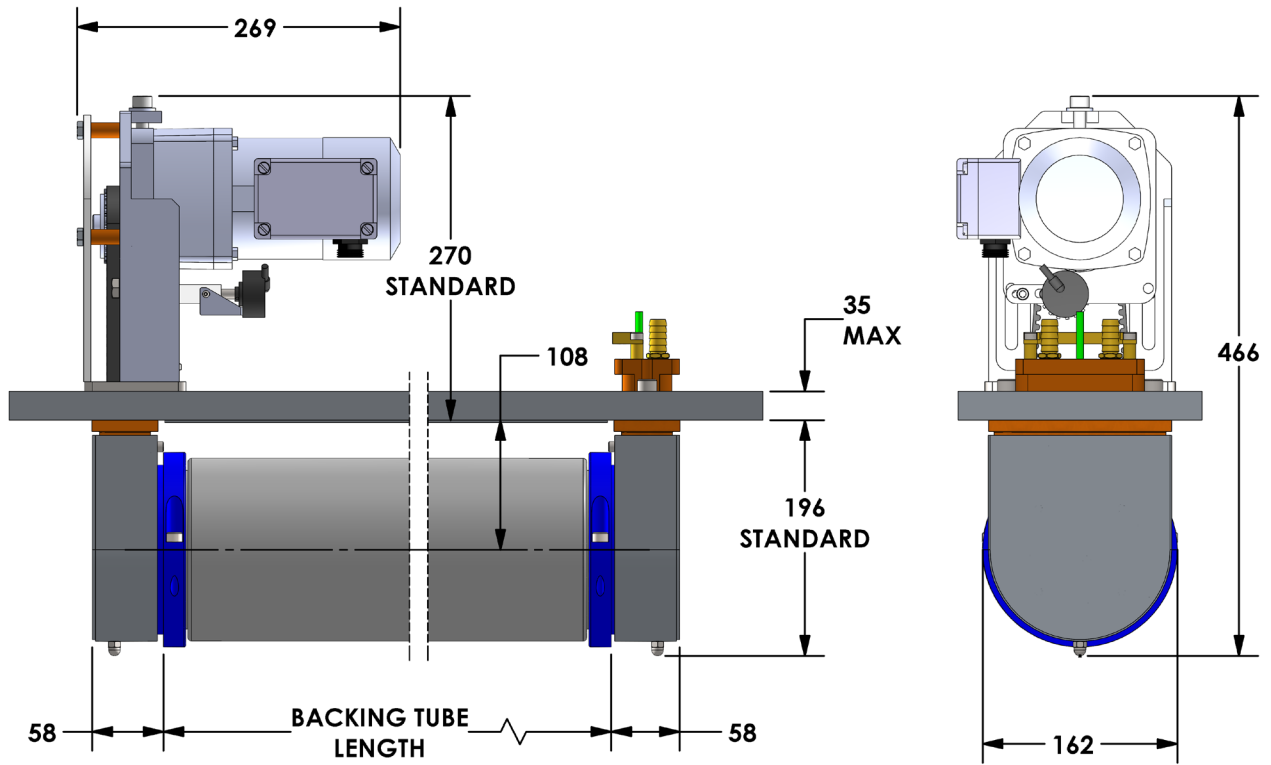
Average End Block Weight: 10 kg

RETROFIT FROM PLANARS

- Increase the output and quality of your existing coater without adding chambers
- Coater modification and integration support available

Model	Power	V/A	Target (mm)
TC	Up to 40kW DC or 80 kHz MFAC	1500V/100A	Up to 1500mm

The TC-Series, internal mount end block combines high-performance and reliability in our most compact design



TOLERANCES
 XXXmm = 1.0mm
 XXX.Xmm = 0.1mm