

Features

- Designed to coat static substrates using a programmable magnet pack with swing motion
- Customizable drive shaft length
- Compact and flexible form factor
- External access water seal cartridge
- Patented power delivery technology
- Simple design - fewer parts
- Patented target water fill/drain feature

Benefits

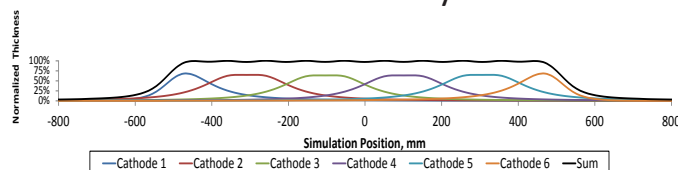
- Ideal for display or 3D part coating
- High-packing density; dual cathodes in a 240 mm space
- All utilities are external and remain attached during target changeover
- High-power with no inductive heating impact
- No brush dust
- Simple, in-house maintenance
- Coater is kept dry during target changes

New systems installations

- Coater modification and integration support available
- Compact design allows chamber design flexibility and the ability to install more cathodes in your system
- Integrates with SCI magnetics: SRM-Bar™ (with 80 mm target), TRM-Bar™, QRM-Bar™, mQRM-Bar™ and RAM-bar™ (with outboard support)



Simulated Six Cathode Array with TRM™



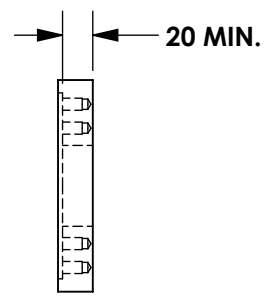
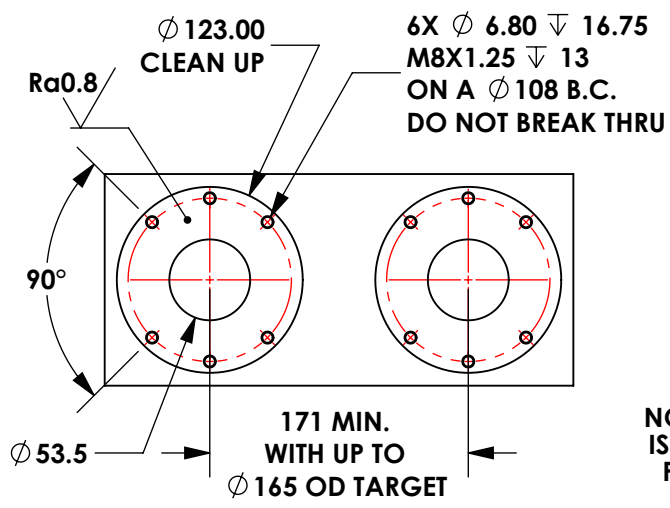
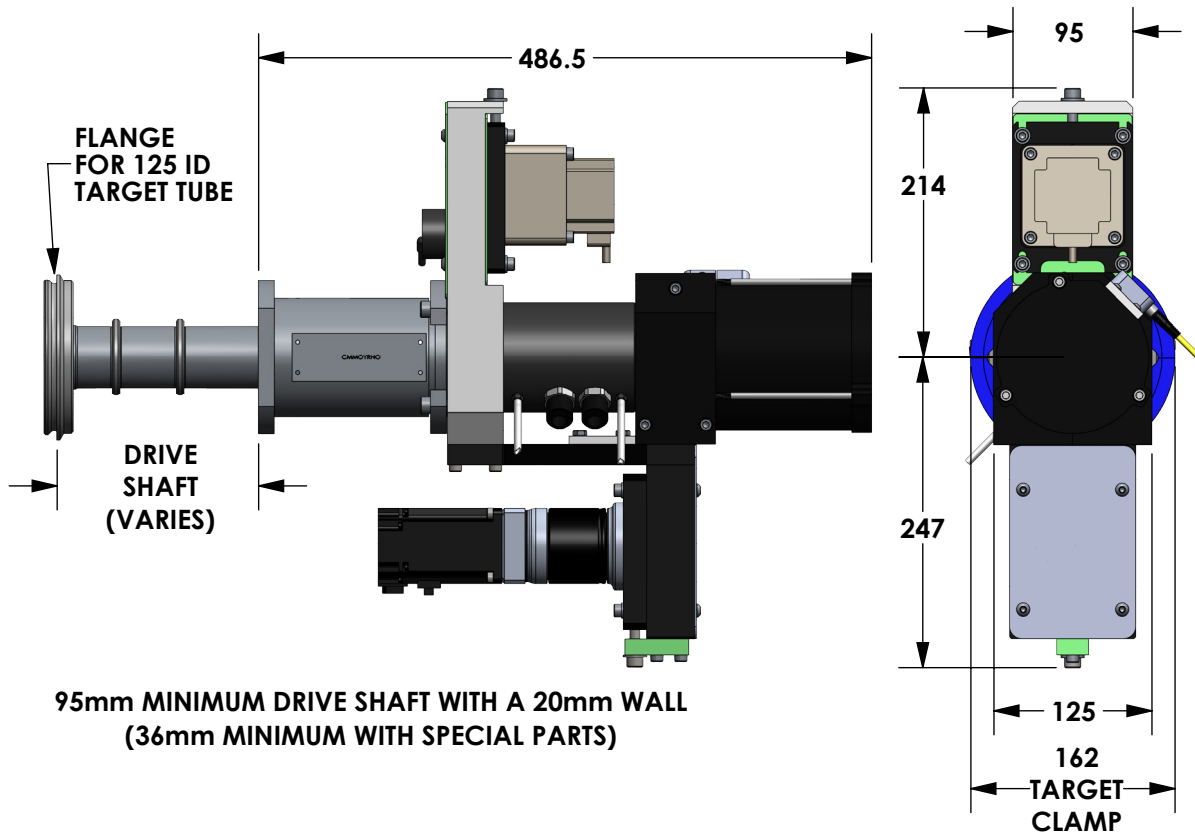
- < +/-1% uniformity with swing cathodes vs. static target uniformity > +/- 15%
- Closer TTS is possible with a swing profile

Visit our website for a Swing Cathode™ demonstration



Model	Power	V/A	Target Length
CMS	Up to 20 kW DC or 80 kHz MFAC	1500 V/50 A	80 mm ID - Up to 1000 mm 125 mm ID - Up to 650 mm

The CM Swing Cathode™ end block combines high performance and reliability in a very compact and lightweight design.



NOTE: THICKER THAN 20mm PLATE IS RECOMMENDED TO INCLUDE A PILOT BORE FOR THE CATHODE.

ALL DIMENSIONS IN mm

Sputtering Components
375 Alexander Drive SW
Owatonna, MN 55060
507.455.9140