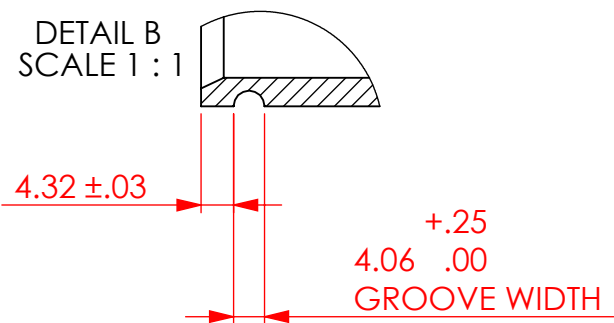
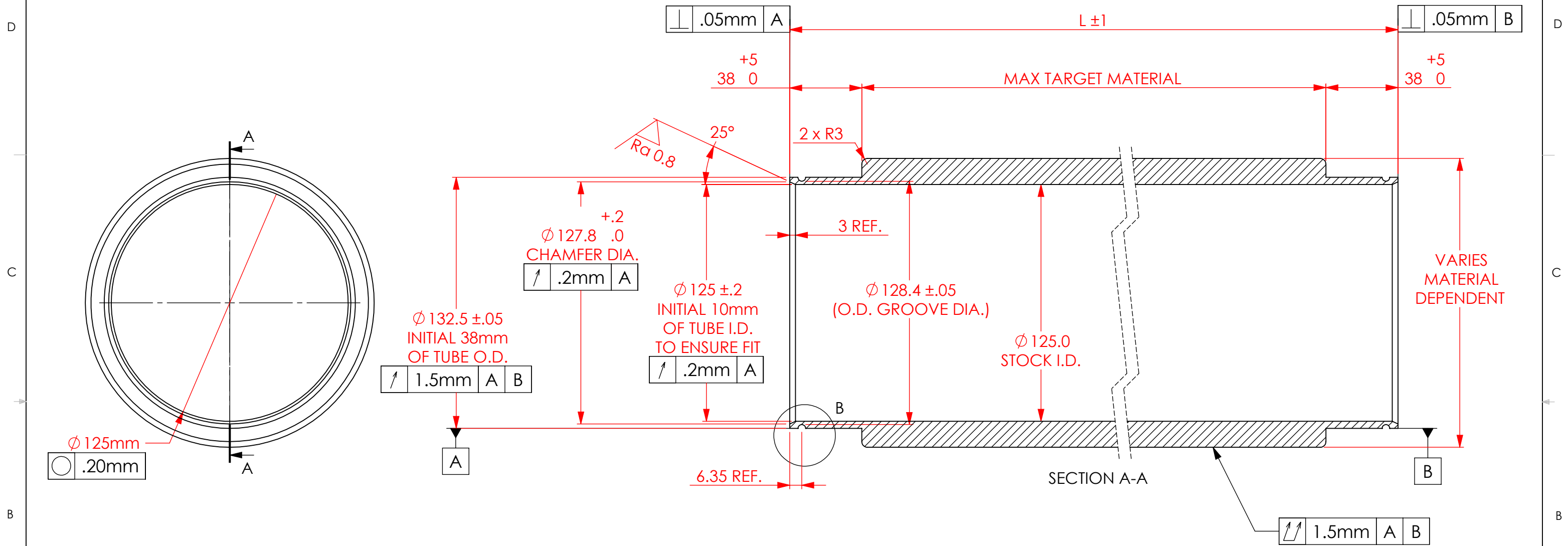


REVISIONS			
REV.	DESCRIPTION	DATE	APPROVED
A	ADDED NOTE	3/2/2016	DC/MN



**NOTE: DIMENSIONS ARE TYPICAL ON BOTH ENDS OF THE PART. FOR OUT OF ROUND TUBES, ENDS MUST BE BORED TO DIMENSION SHOWN.**

- NOTES:
- BREAK AND DEBURR ALL EDGES .25mm MAX.
  - CLEAN PART FOR USE IN A VACUUM ENVIRONMENT.
  - PACKAGE PART TO PROTECT FROM DAMAGE AND TO ENSURE CLEANLINESS.

**4. THIS MONOLITHIC TARGET DESIGN MAY NOT SUPPORT ALL TARGET MATERIALS. CONSULT SCI WITH ANY QUESTIONS.**

UNLESS OTHERWISE SPECIFIED:		SPUTTERING COMPONENTS, INC.			
BREAK ALL CORNERS .015 Typ.		375 Alexander Dr. SW, Owatonna, MN 55060			
imperial	metric	TITLE: QRM TARGET			
X.0 = $\pm .030$	X.0 = $\pm 1$	WEIGHT	SIZE	DATE DRAWN	PART NO. SCQT
0.X = $\pm .015$	0.X = $\pm .5$	DRAWN BY	<b>B</b>		MOD NO.
0.XX = $\pm .010$	0.XX = $\pm .25$				
0.XXX = $\pm .005$	0.XXX = $\pm .125$				
DO NOT SCALE DRAWING		MATERIAL: VARIES		FINISH:	SCALE 1:2
					REV <b>A</b>
					SHEET 1 OF 1