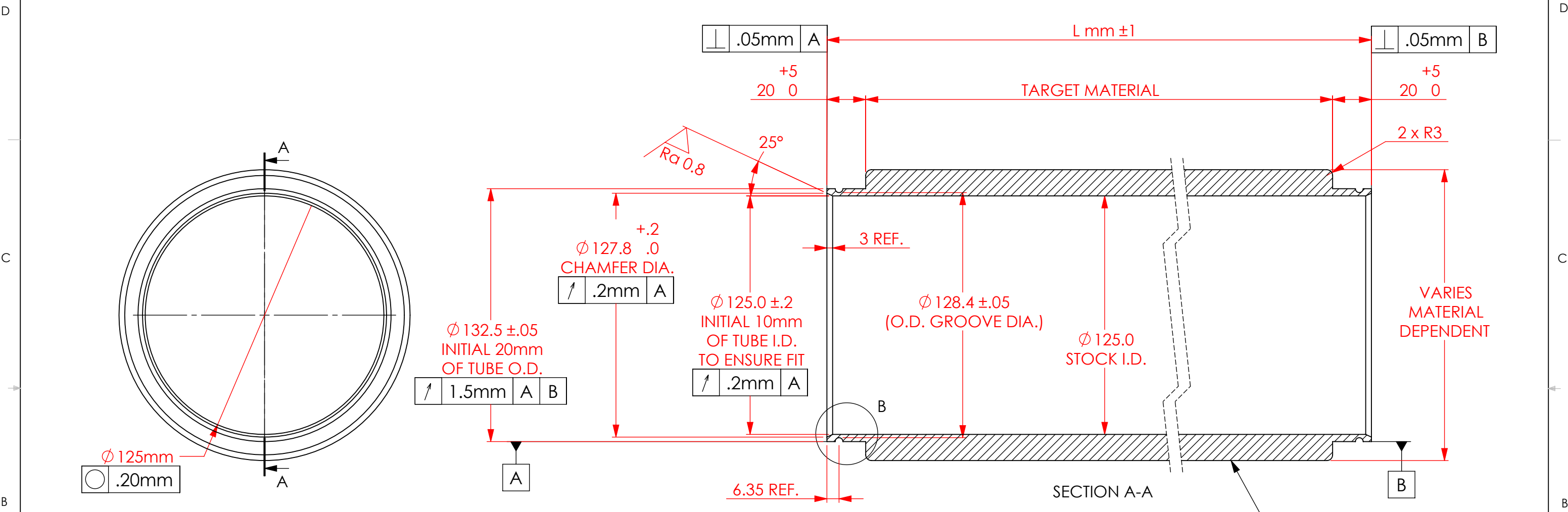
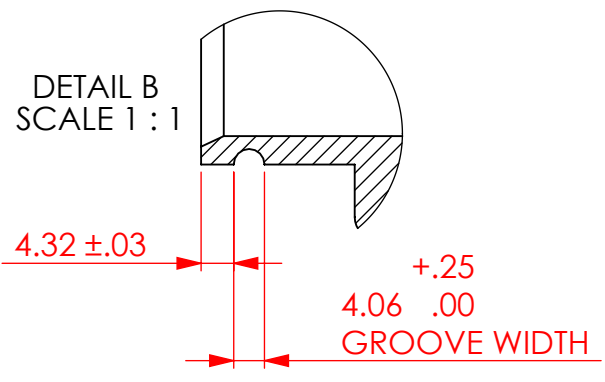


REVISIONS				
ZONE	REV.	DESCRIPTION	DATE	APPROVED
	F	UPDATED TOLERANCING	2/8/2010	DC
	G	ADDED NOTE	3/2/2016	DC/MN



**NOTE: DIMENSIONS ARE TYPICAL ON BOTH ENDS OF THE PART. FOR OUT OF ROUND TUBES, ENDS MUST BE BORED TO DIMENSION SHOWN.**



- NOTES:**
- BREAK AND DEBURR ALL EDGES .25mm MAX.
  - CLEAN PART FOR USE IN A VACUUM ENVIRONMENT.
  - PACKAGE PART TO PROTECT FROM DAMAGE AND TO ENSURE CLEANLINESS.
  - THIS MONOLITHIC TARGET DESIGN MAY NOT SUPPORT ALL TARGET MATERIALS. CONSULT SCI WITH ANY QUESTIONS.**

**UNLESS OTHERWISE SPECIFIED:**

**BREAK ALL CORNERS .015 Typ.**

**ALL MACHINED SURFACES TO BE  $\sqrt{63}$**

IMPERIAL	METRIC
X = ± .030	X = ± 1
0.X = ± .015	0.X = ± .5
0.XX = ± .010	0.XX = ± .25
0.XXX = ± .005	0.XXX = ± .125

DRAWN BY

**DO NOT SCALE DRAWING**

**SPUTTERING COMPONENTS, INC.**  
375 Alexander Dr. SW, Owatonna, MN 55060

TITLE: **SCI METRIC TARGET**

SIZE <b>B</b>	DATE DRAWN	PART NO. <b>SCT</b>	SCALE <b>1:2</b>	REV <b>G</b>
MATERIAL: VARIES		MOD NO.	FINISH:	

SHEET 1 OF 1